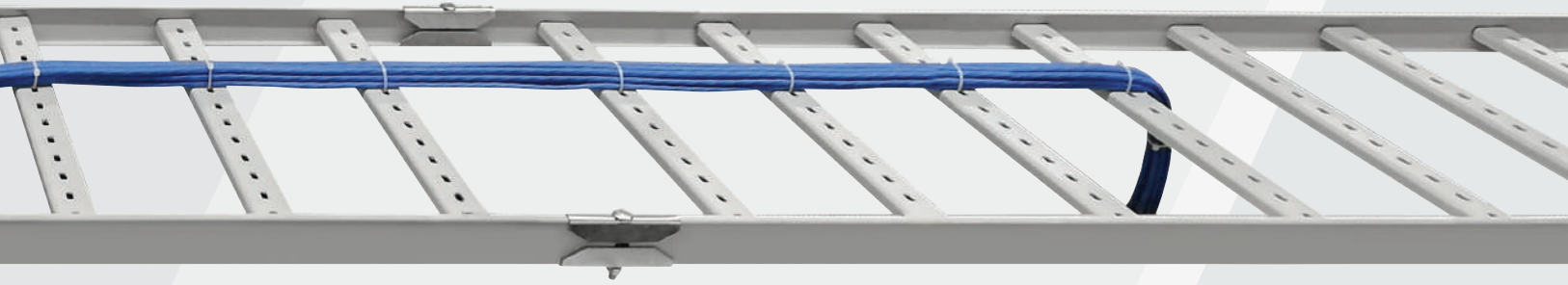


UPCOM

The Faster. The Better.

www.upcom.com.tr



Cable Pathway Systems



Contact | +90 535 765 18 57

Cable Pathway and Management Systems

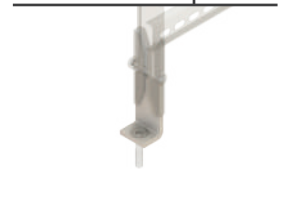
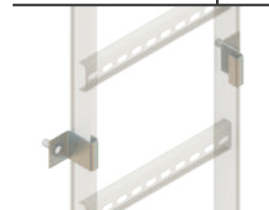
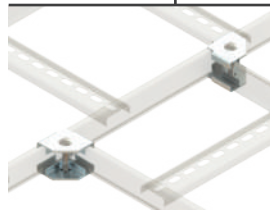
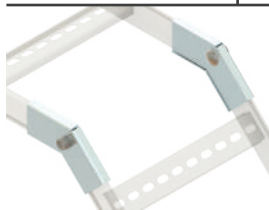
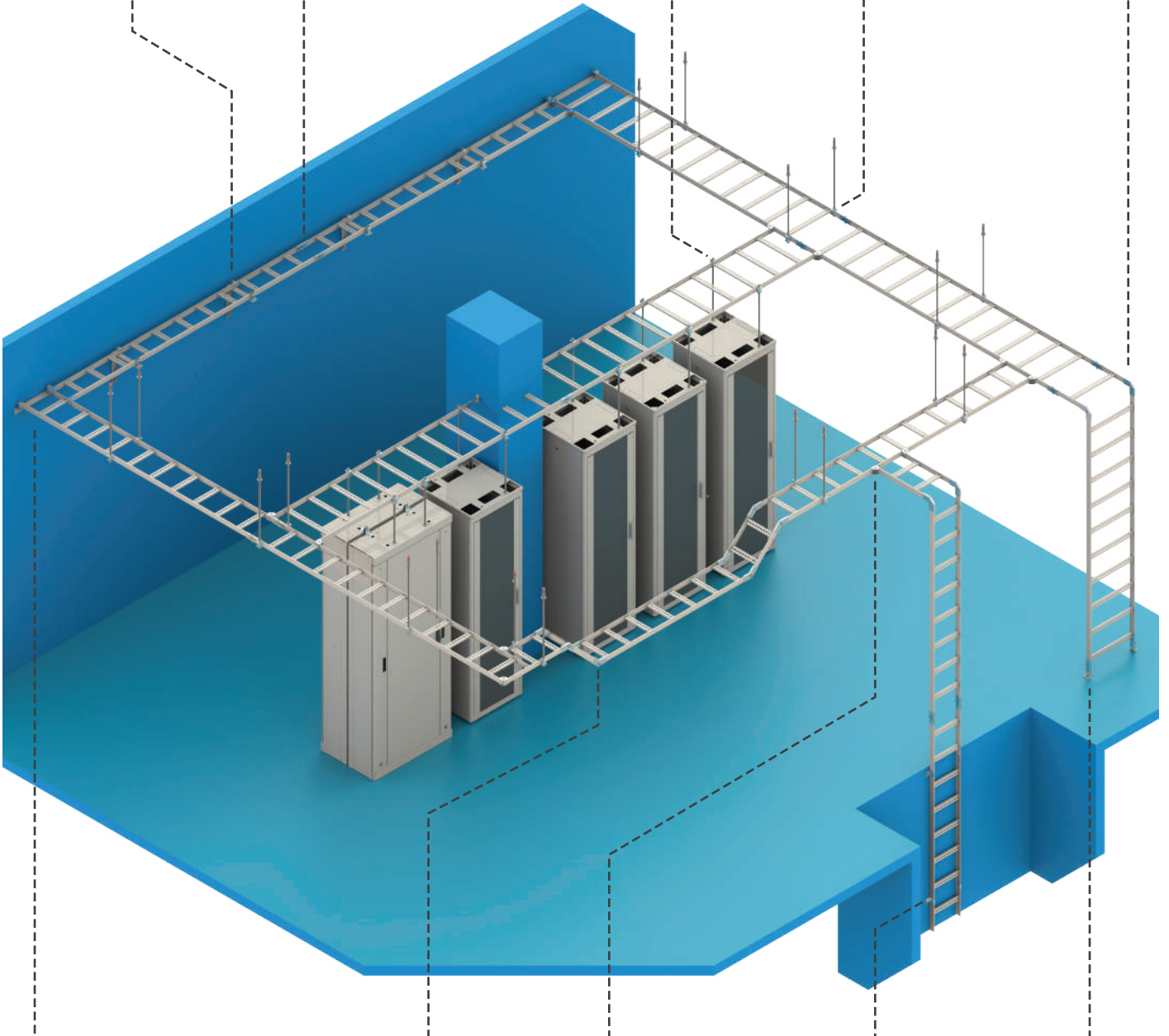
Wall Mounting Triangle Bracket

Straight Ladder Splicing Kit

Over Cabinet Threaded Rod

Ceiling Hanging Threaded Rod

90° Vertical Drop Splicing Kit



Wall Mounting "L" Bracket

45° Vertical Drop Splicing Kit

Corner Splicing Kit

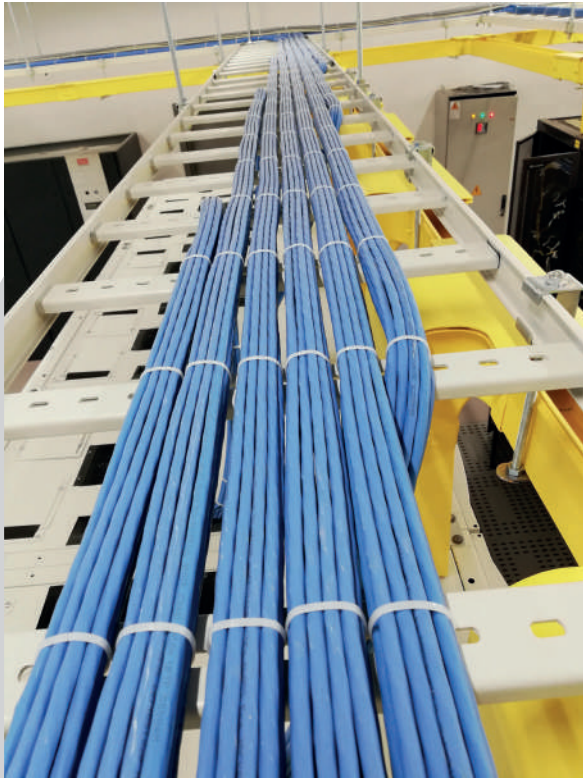
Wall Mounting "U" Clamp

Ladder End Mounting Bracket

The UPCOM modular cable ladder systems are designed to manage the structural cabling in the system halls in a horizontal or vertical cabling, in order to manage the cables along the ceiling, wall and floor.

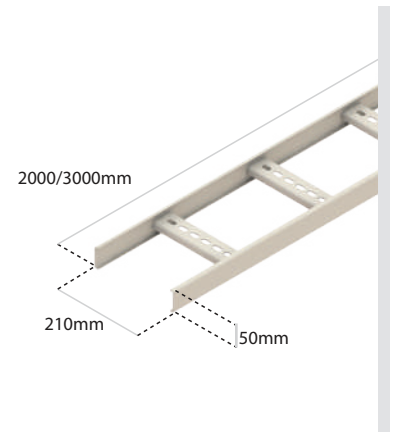
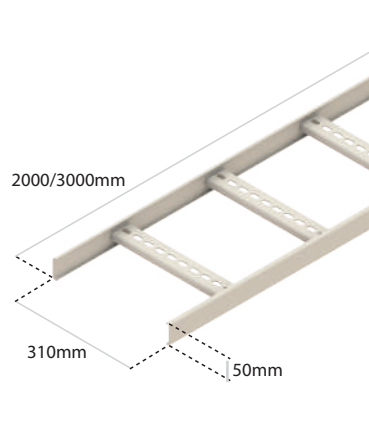
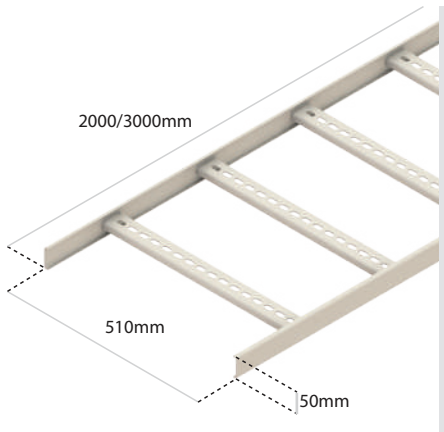
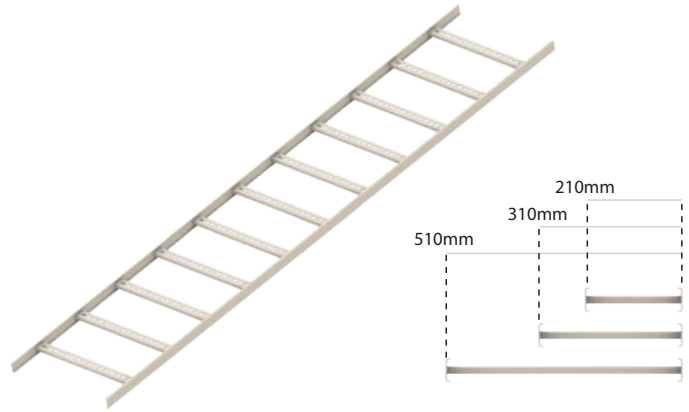
These structures protect cables from environmental conditions, making network connections reconfiguring or troubleshooting more efficient.

- ✓ Roll form construction
- ✓ Robust and strong design
- ✓ Wide range accessory variety
- ✓ Epoxy polyester powder coating



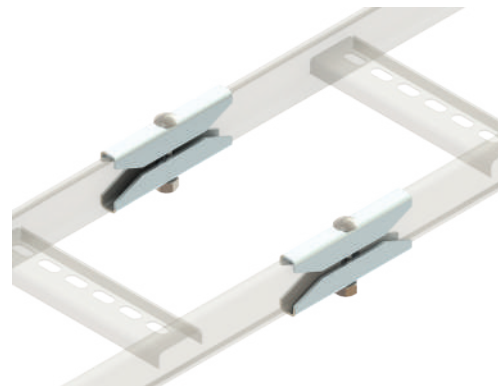
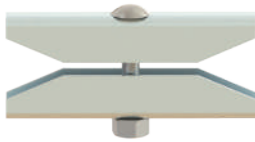
Cable Ladders

Description	Order Code
210mm Cable Ladder_2MT	210LDR_2M
310mm Cable Ladder_2MT	310LDR_2M
510mm Cable Ladder_2MT	510LDR_2M
210mm Cable Ladder_3MT	210LDR_3M
310mm Cable Ladder_3MT	310LDR_3M
510mm Cable Ladder_3MT	510LDR_3M



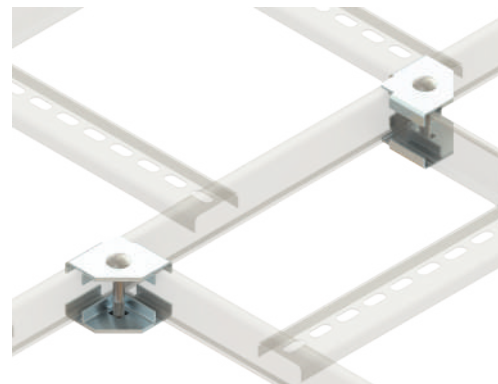
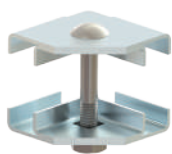
Straight Ladder Splicing Kit

Description	Order Code
Straight Ladder Splicing Kit	LD-SPLK-180



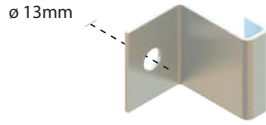
Corner Splicing Kit

Description	Order Code
Corner Splicing Kit	LD-CSPLK-90

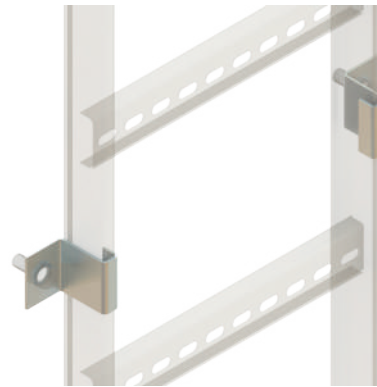


Wall Mounting "U" Clamp

Description	Order Code
Wall Mounting "U" Clamp	LD-WMUC

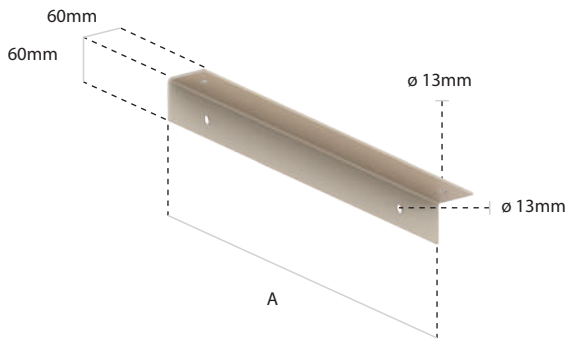


For Wall Mounting, Order 1 Set of LD-MS-1 | Page 7

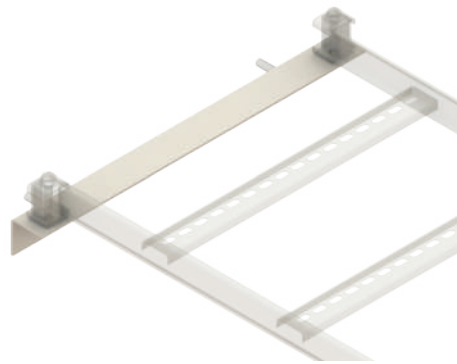


Wall Mounting "L" Bracket

Description	Order Code
Wall Mounting "L" Bracket - 210	LD-WMLB-210
Wall Mounting "L" Bracket - 310	LD-WMLB-310
Wall Mounting "L" Bracket - 510	LD-WMLB-510



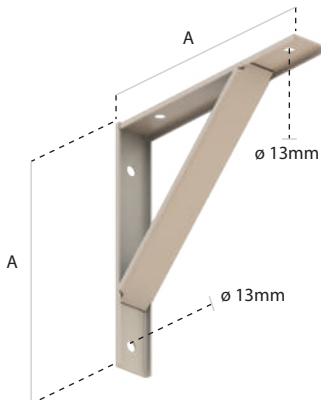
For Wall Mounting, Order 2 Sets of LD-MS-1 | Page 7
 For Ladder Mounting, Order 2 Sets of LD-FCS-M12 | Page 6



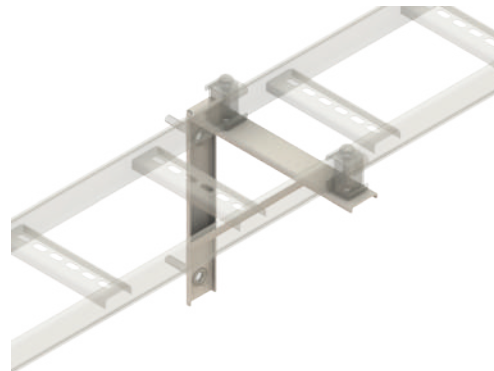
Ladder Size	A
510mm	600mm
310mm	400mm
210mm	300mm

Wall Mounting Triangle Bracket

Description	Order Code
Wall Mounting Triangle Bracket - 210	LD-WMTB-210
Wall Mounting Triangle Bracket - 310	LD-WMTB-310
Wall Mounting Triangle Bracket - 510	LD-WMTB-510



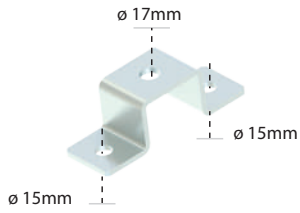
For Wall Mounting, Order 2 sets of LD-MS-1 | Page 7
 For Ladder Mounting, Order 2 Sets of LD-FCS-M12 | Page 6



Ladder Size	A
510mm	600mm
310mm	400mm
210mm	300mm

Ceiling Hanging "U" Profile

Description	Order Code
Ceiling Hanging "U" Profile	LD-CHUP

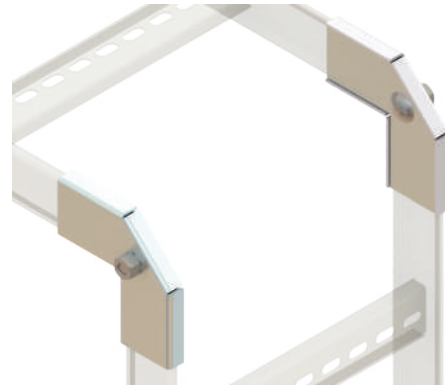


For Ceiling Mounting, Order 1 Set of LD-MS-7 | Page 7



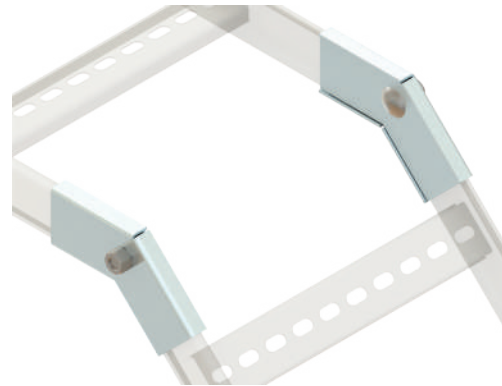
90° Vertical Drop Splicing Kit

Description	Order Code
90° Vertical Drop Splicing Kit	LD-SPLK-90



45° Vertical Drop Splicing Kit

Description	Order Code
45° Vertical Drop Splicing Kit	LD-SPLK-45

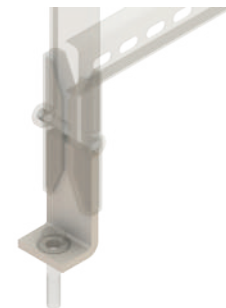


Ladder End Mounting Bracket

Description	Order Code
Ladder End Mounting Bracket	LD-EMB

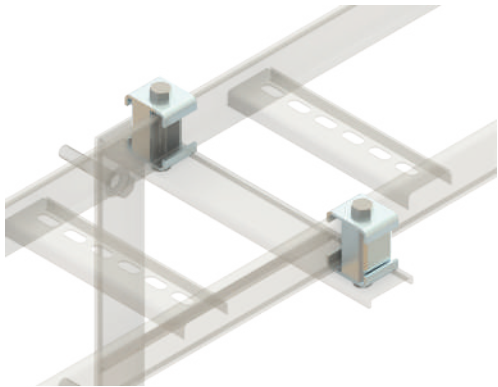
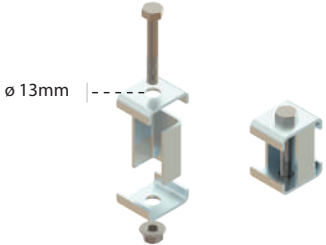


For Surface Mounting, Order 1 Set of LD-MS-1 | Page 7



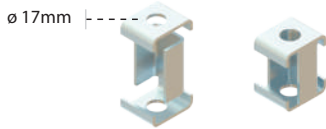
Ladder Fixation Clamp Set

Description	Order Code
Ladder Fixation Clamp Set - M12	LD-FCS-M12

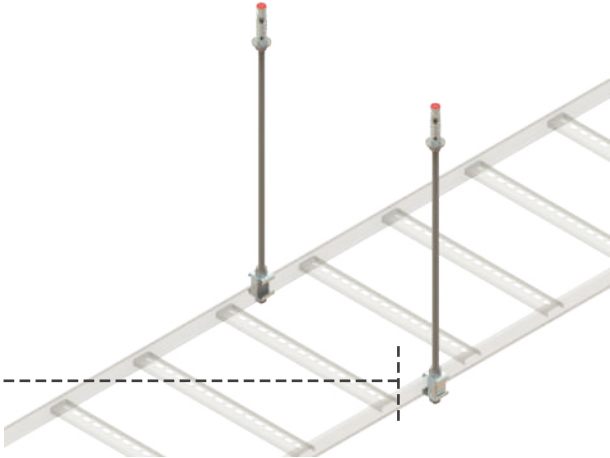
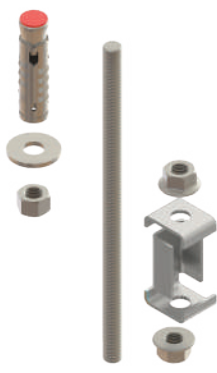


Ladder Hanging Clamp Sets

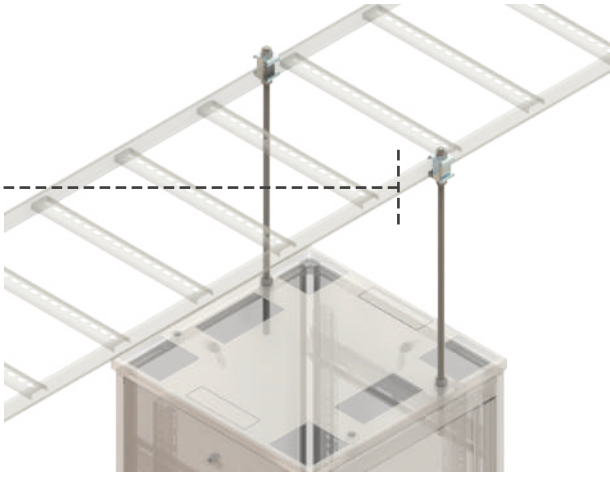
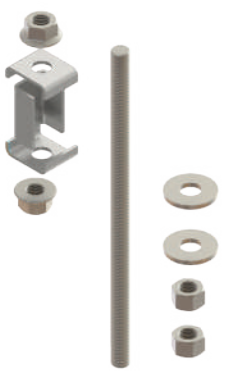
Description	Order Code
Ladder Hanging Clamp Bracket - M16	LD-HCB-M16



Ceiling Hanging Threaded Rod Sets	
Ceiling Hanging Threaded Rod Set - 200cm	LD-CH-TRS-200
Ceiling Hanging Threaded Rod Set - 100cm	LD-CH-TRS-100



Over Cabinet Threaded Rod Sets	
Over Cabinet Threaded Rod Set - 100cm	LD-OC-TRS-100
Over Cabinet Threaded Rod Set - 75cm	LD-OC-TRS-75
Over Cabinet Threaded Rod Set - 50cm	LD-OC-TRS-50



Mounting Sets

Description	Order Code
M12 Bolt + Sleeve Anchor + Washer	LD-MS-1
M16 Threaded Rod (200cm) + 3 Nuts + Sleeve Anchor + Flat Washer	LD-MS-2
M16 Threaded Rod (100cm) + 3 Nuts + Sleeve Anchor + Flat Washer	LD-MS-3
M16 Threaded Rod (100cm) + 4 Nuts	LD-MS-4
M16 Threaded Rod (75cm) + 4 Nuts	LD-MS-5
M16 Threaded Rod (50cm) + 4 Nuts	LD-MS-6
M12 2 Wedge Anchors + 2 Washers + 2 Nuts	LD-MS-7

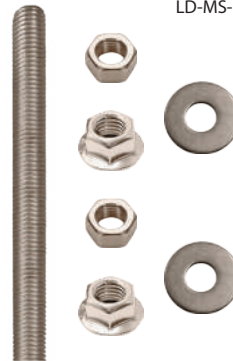
LD-MS-1



LD-MS-2
LD-MS-3



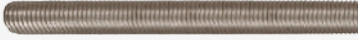




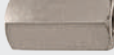





LD-MS-4
LD-MS-5
LD-MS-6

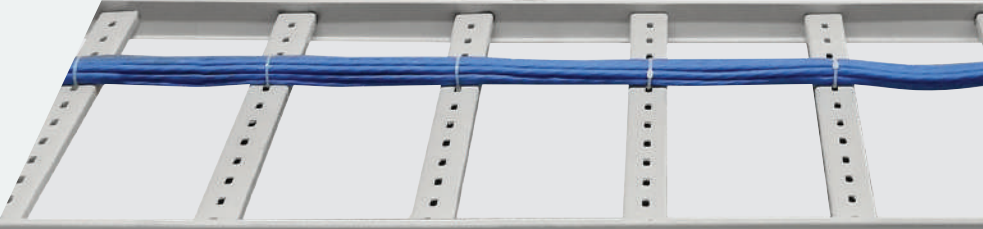


LD-MS-7



Mounting Parts

Description	Order Code	Illustration
M16 Threaded Rod 200 cm	LD-MA-1	
M16 Threaded Rod 100 cm	LD-MA-2	
M16 Threaded Rod 75 cm	LD-MA-3	
M16 Threaded Rod 50 cm	LD-MA-4	
M16 Sleeve Anchor	LD-MA-5	
M16 Nut	LD-MA-6	
M16 Flange Nut	LD-MA-7	
M16 Flat Washer	LD-MA-8	
M16 Connector	LD-MA-9	
M12 Nut	LD-MA-10	
M12 Sleeve Anchor	LD-MA-11	
M12 Bolt	LD-MA-12	
M12 Flat Washer	LD-MA-13	
M12 Wedge Anchor	LD-MA-14	







UPCOM

Website: www.upcom.com.com
E-mail: info@upcom.com.tr

Tel: +905357651857
Tel:
Fax:

Head Office
Istanbul Turkey

     UpcomTelekomunikasyon